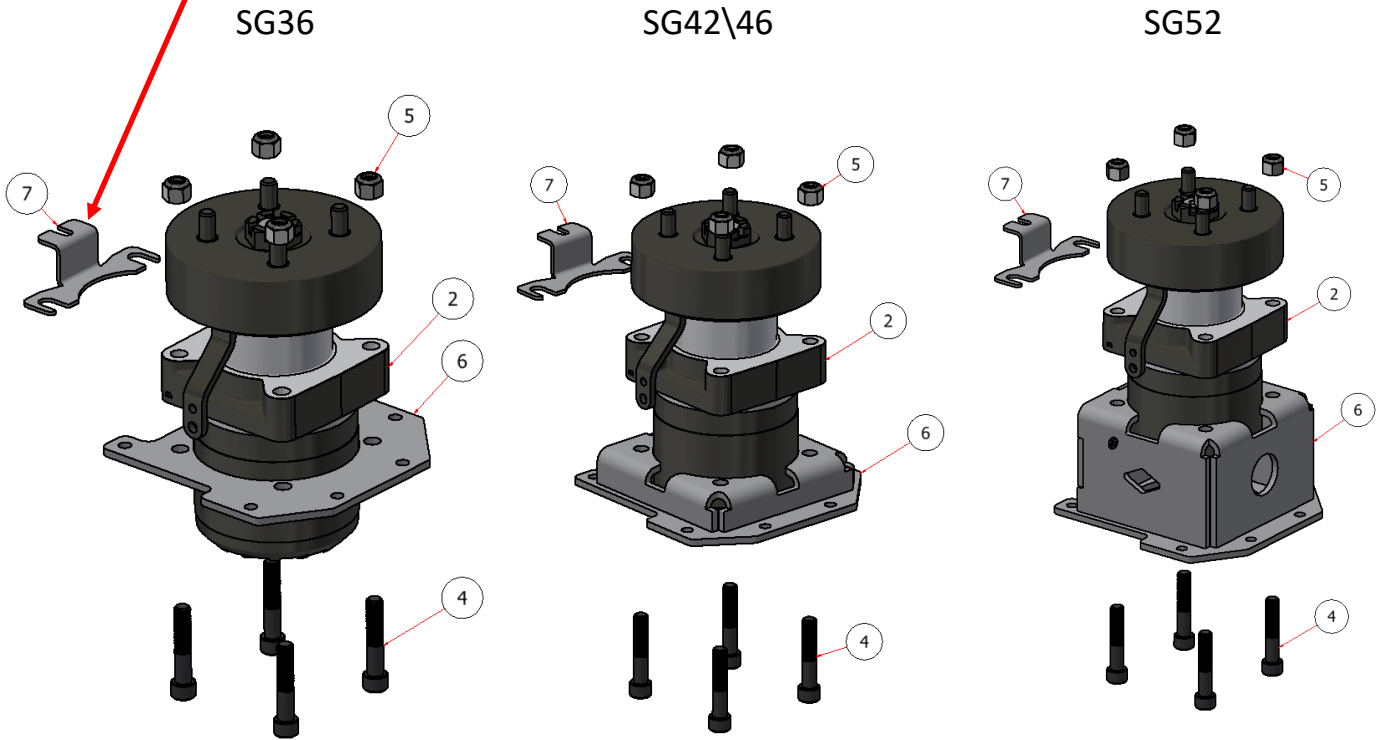


WHEEL MOTOR \ REAR TIRE ASSEMBLY

DRAWING NO. SGEV-028 REV. B

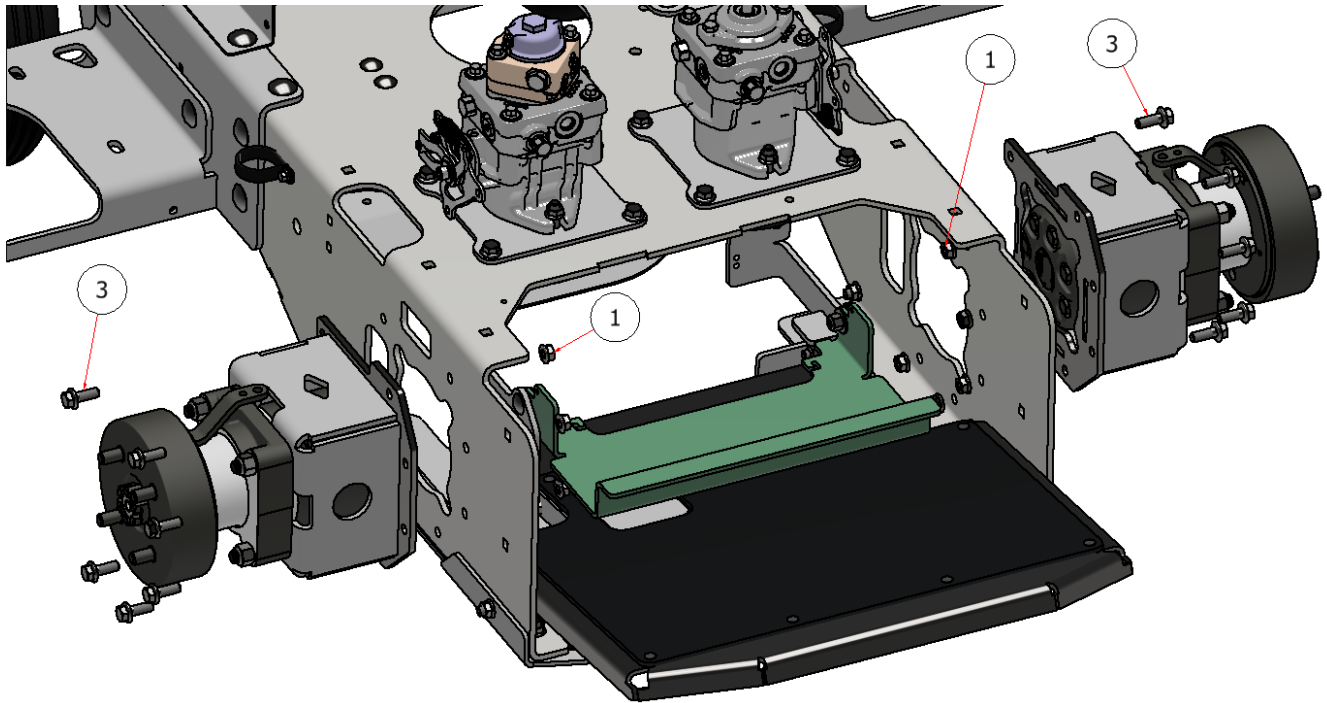


NOTE: RIGHT SIDE ONLY.

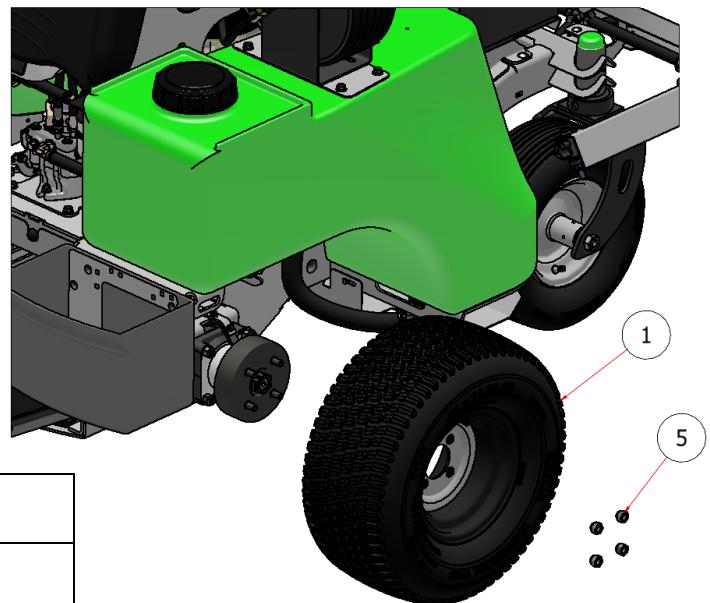


SG36/42			
2	1	H80415	WHEEL MOTOR RIGHT SG36/42
3	1	H80414	WHEEL MOTOR LEFT SG36/42
4	8	SHCS-12212	SOCKET HEAD CAP SCREW, SS - 1/2 x 2 1/2
5	8	SSNNC-12	NYLOCK, SS - 1/2-13
6	2	R21-219	WHEEL MOTOR BRACKET SG36
	2	W21-230	WHEEL MOTOR BRACKET SG42/46
7	1	R21-055	SPEED SENSOR MOUNT

SG46/52			
2	1	H80406	WHEEL MOTOR RIGHT SG46/52
3	1	H80407	WHEEL MOTOR LEFT SG46/52
4	8	SHCS-12212	SOCKET HEAD CAP SCREW, SS - 1/2 x 2 1/2
5	8	SSNNC-12	NYLOCK, SS - 1/2-13
6	1	W21-231	WHEEL MOTOR BRACKET SG52
	1	W21-230	WHEEL MOTOR BRACKET SG42/46
7	1	R21-055	SPEED SENSOR MOUNT



PARTS LIST			
ITEM	QTY	PART NUMBER	DESCRIPTION
1	39	HFNCS-38S	HEX FLANGE NUT, SS - 3/8-16
3	20	HFSSC-381	HEX FLANGE BOLT, SS - 3/8-16 x 1



PARTS LIST			
ITEM	QTY	PART NUMBER	DESCRIPTION
1	2	T90010	REAR TIRE ASSEMBLY, SG42, 46, 52
		T90011	REAR TIRE ASSEMBLY, SG36
5	8	T90317	LUG NUT, SS-1/2-20