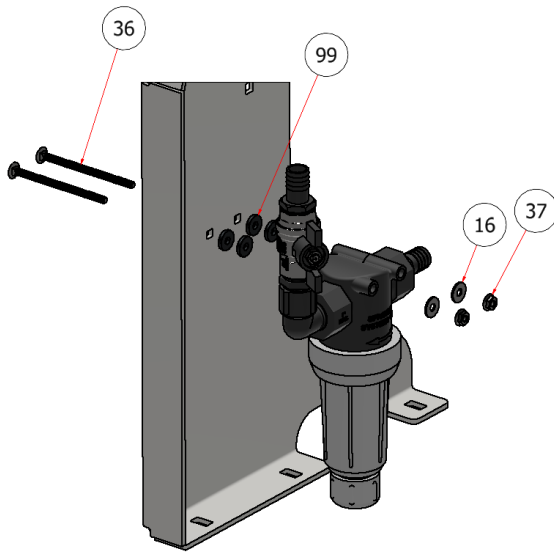


# UPRIGHT LOWER ASSEMBLY

DRAWING NO. SGEV-010 REV. B



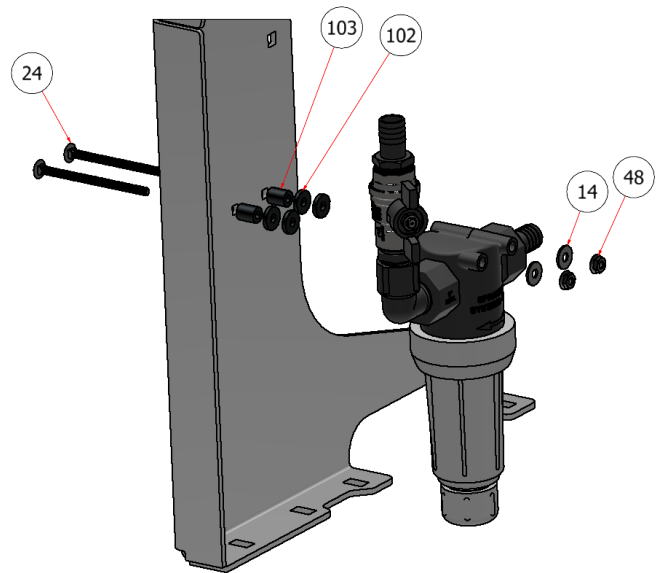
SG46/52



PARTS LIST

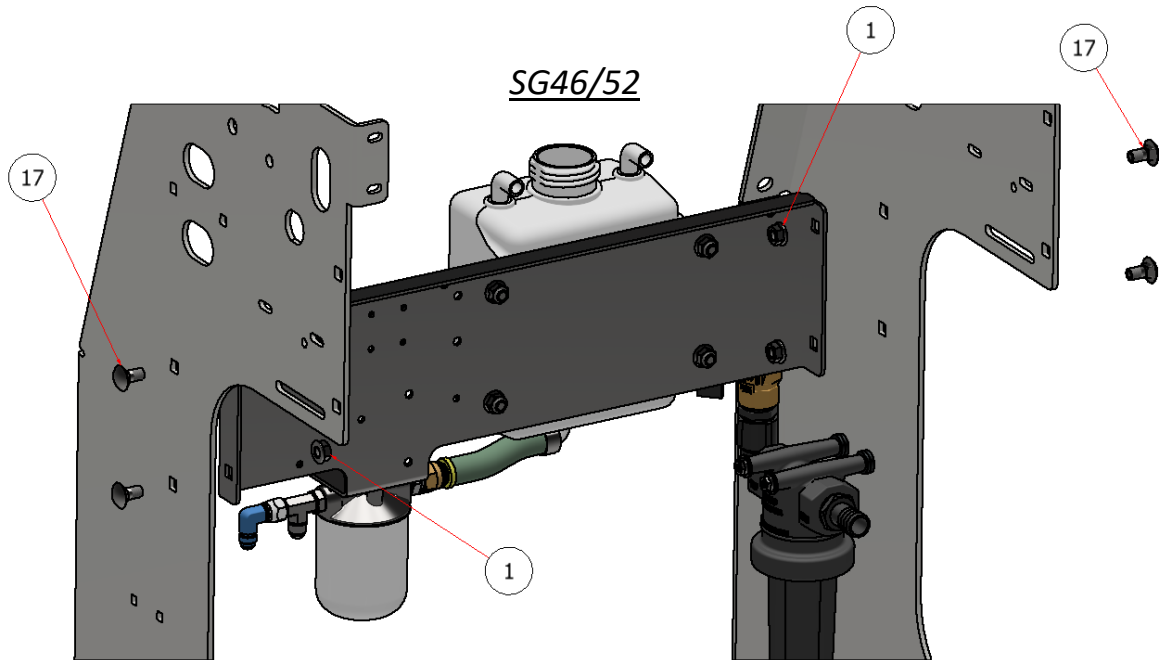
ITEM	QTY	PART NUMBER	DESCRIPTION
16	19	FWSS-14	FLAT WASHER, SS - 1/4
36	2	CB-0254	CARRIAGE BOLT, 1/4" X 4"
37	2	HFNCS-14SS	HEX FLANGE NUT, 1/4-20
99	0	NFW-14B	FLAT WASHER, 1/4", PLASTIC

SG36/42

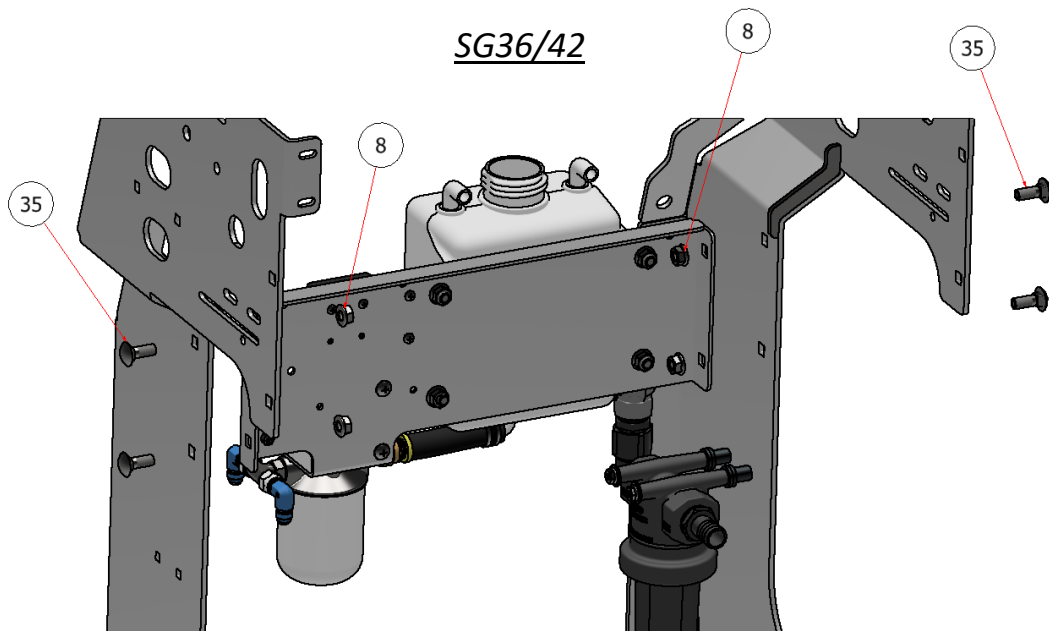


PARTS LIST

ITEM	QTY	PART NUMBER	DESCRIPTION
14	10	FWSS-14	FLAT WASHER, SS - 1/4
24	2	CB144-SS	STEP AP203
48	15	HFNCS-14S	HEX FLANGE NUT, 1/4
102	4	NFW-14B	FLAT WASHER, 1/4", PLASTIC
103	2	NSPCR-14B	SPACER, 1/4" X 5/8"



PARTS LIST			
ITEM	QTY	PART NUMBER	DESCRIPTION
1	14	HFNCS-38S	HEX FLANGE NUT, SS - 3/8-16
17	4	CB-3834SS	CARRIAGE BOLT, SS - 3/8-16 x 3/4



PARTS LIST			
ITEM	QTY	PART NUMBER	DESCRIPTION
8	14	HFNCS-38S	HEX FLANGE NUT, SS - 3/8-16
35	4	CB-381SS	CARRIAGE BOLT, SS - 3/8-16 x 1