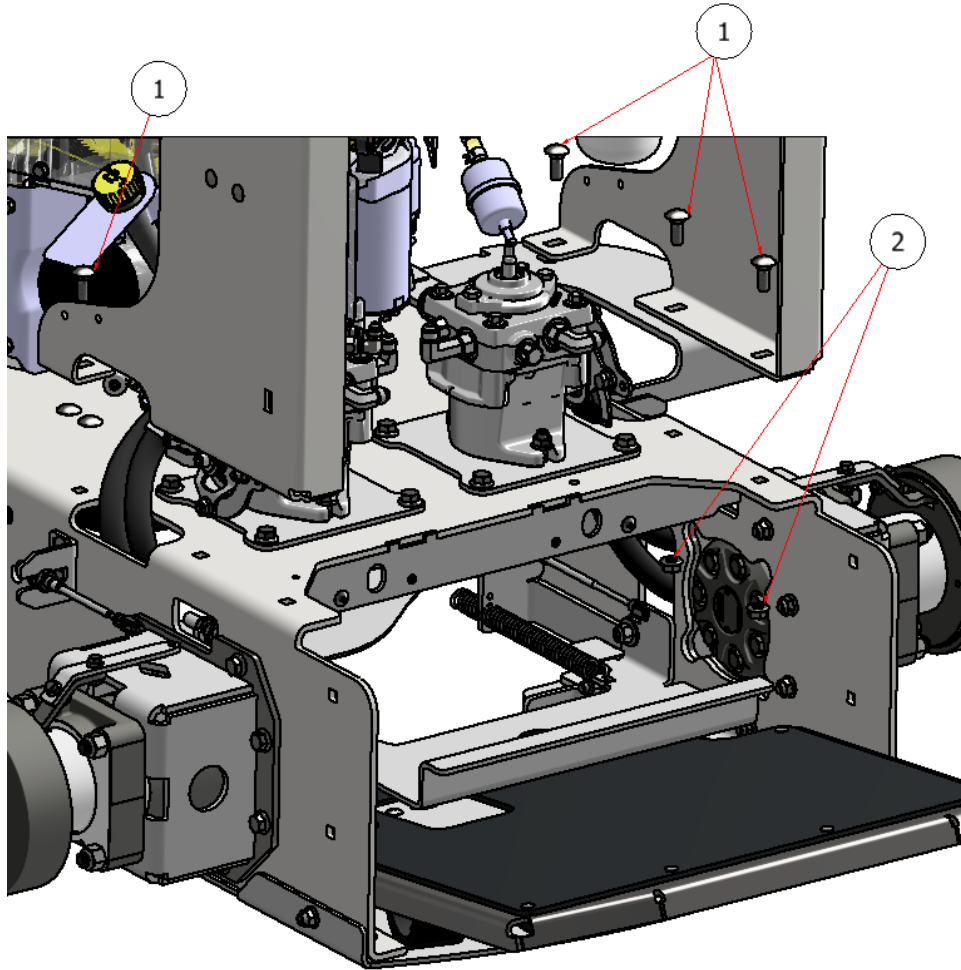


# UPRIGHT INSTALL ASSEMBLY

DRAWING NO. SGEV-035 REV. B

**STEELGREEN**  
MANUFACTURING™



PARTS LIST			
ITEM	QTY	PART NUMBER	DESCRIPTION
1	6	CB-381SS	CARRIAGE BOLT, SS - 3/8-16 x 1
2	6	HFNCS-38S	HEX FLANGE NUT, SS - 3/8-16