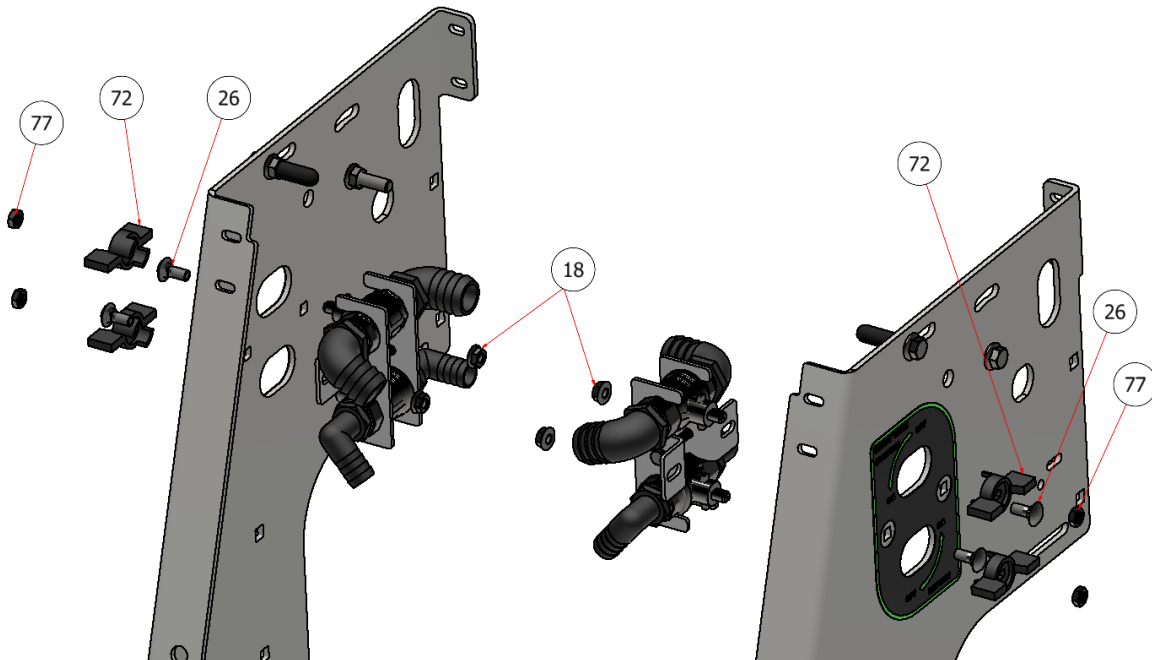
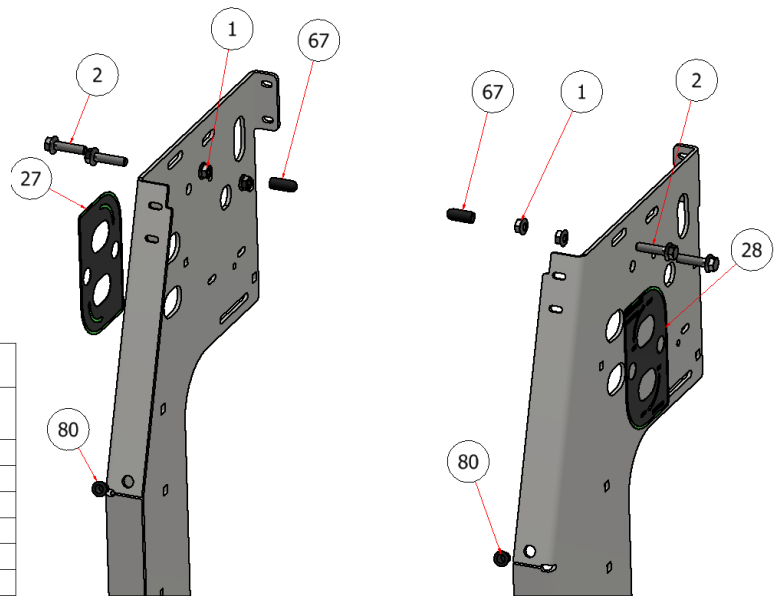


# UPRIGHT ASSEMBLY

DRAWING NO. SGEV-009 REV. B



PARTS LIST			
ITEM	QTY	PART NUMBER	DESCRIPTION
1	14	HFNCS-38S	HEX FLANGE NUT, SS - 3/8-16
2	6	HFSSC-3815	HEX FLANGE BOLT, 3/8 X 1.5
27	1	C60316	DECAL, LEFT TANK SUCTION
28	1	C60317	DECAL, RIGHT TANK SUCTION
67	2	C60203	RUBBER CAP, BLACK 1"
80	2	C60869	RUBBER BOOT, CHEST PAD



PARTS LIST			
ITEM	QTY	PART NUMBER	DESCRIPTION
18	6	HFNCS-516S	HEX NUT, 5/16"
26	6	CB-51634	CARRIAGE BOLT, SS - 5/16-18 x 3/4
72	4	S51295	VALVE HANDLE, RED
77	4	S51292	HEX NUT, BALL VALVE HANDLE