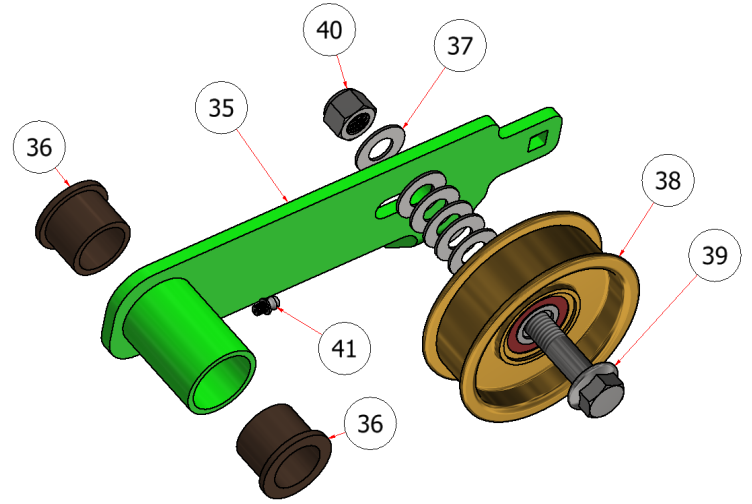


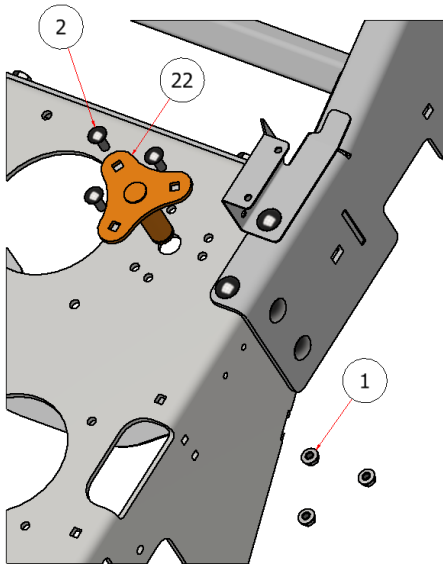
IDLER ARM ASSEMBLY

DRAWING NO. SGEV-021 REV. B



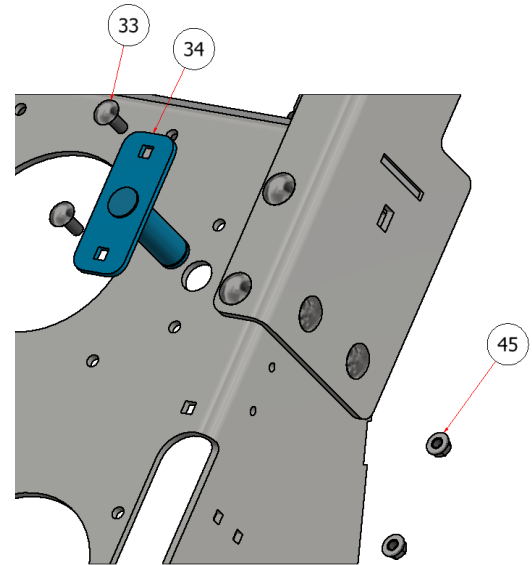
IDLER ARM			
35	1	W21-020	IDLER ARM
36	2	C60304	BUSHING, OIL INFUSED
37	6	FW-SAE-12	FLAT WASHER SAE, SS-1/2
38	1	H82003	IDLER PULLEY
39	1	HFCS-12214	HEX FLANGE BOLT, 1/2-13 X 2-1/4
40	1	SSNNC-12	NYLOCK, SS-1/2-13
41	3	6F-316D	GREASE FITTING

SG46/52



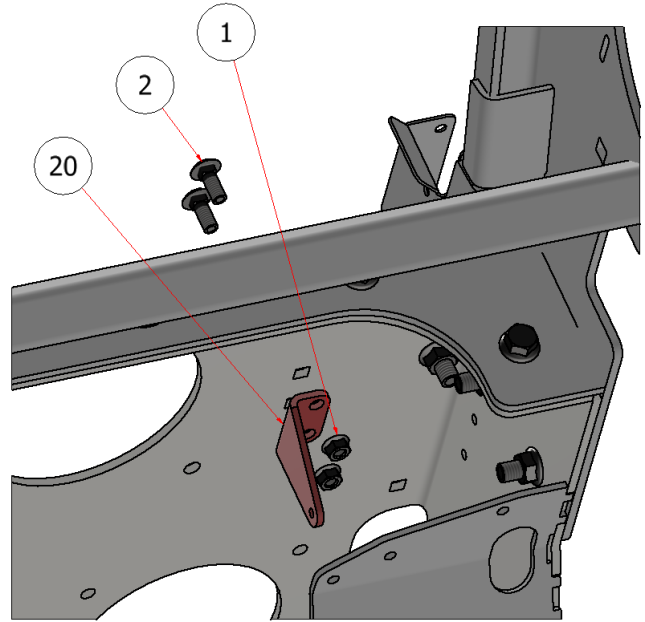
PARTS LIST			
ITEM	QTY	PART NUMBER	DESCRIPTION
1	39	HFNCS-38S	HEX FLANGE NUT, SS - 3/8-16
2	17	CB-381SS	CARRIAGE BOLT, SS - 3/8-16 x 1
22	1	W21-021	IDLER ARM SHAFT, SG46/52

SG36/42



PARTS LIST			
ITEM	QTY	PART NUMBER	DESCRIPTION
33	19	CB-381SS	CARRIAGE BOLT, SS - 3/8-16 x 1
34	1	W21-102	IDLER ARM SHAFT SG36/42
45	38	HFNCS-38S	HEX FLANGE NUT - 3/8-16

PARTS LIST			
ITEM	QTY	PART NUMBER	DESCRIPTION
1	39	HFNCS-38S	HEX FLANGE NUT, SS - 3/8-16
2	17	CB-381SS	CARRIAGE BOLT, SS - 3/8-16 x 1
20	1	R21-018-01	BRACKET, IDLER SPRING



PARTS LIST			
ITEM	QTY	PART NUMBER	DESCRIPTION
10	1	ECSS-098	SNAP RING
80	1	SHJN-1-14	FLAT WASHER, SS - 1

