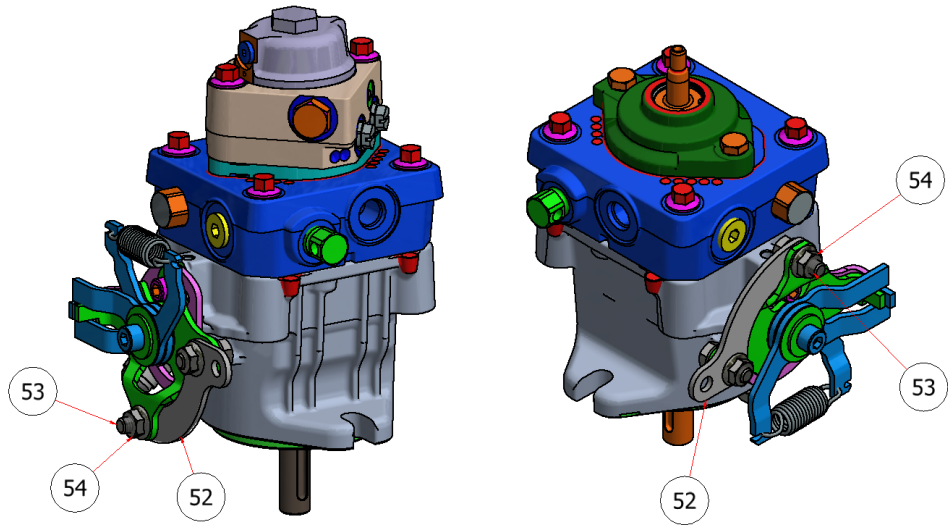
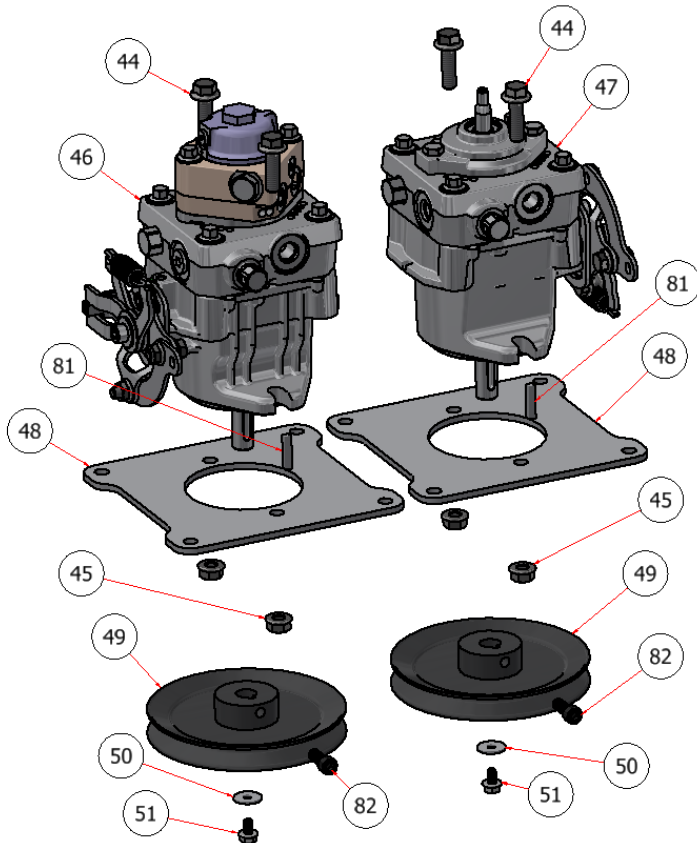


HYDRAULIC PUMPS ASSEMBLY

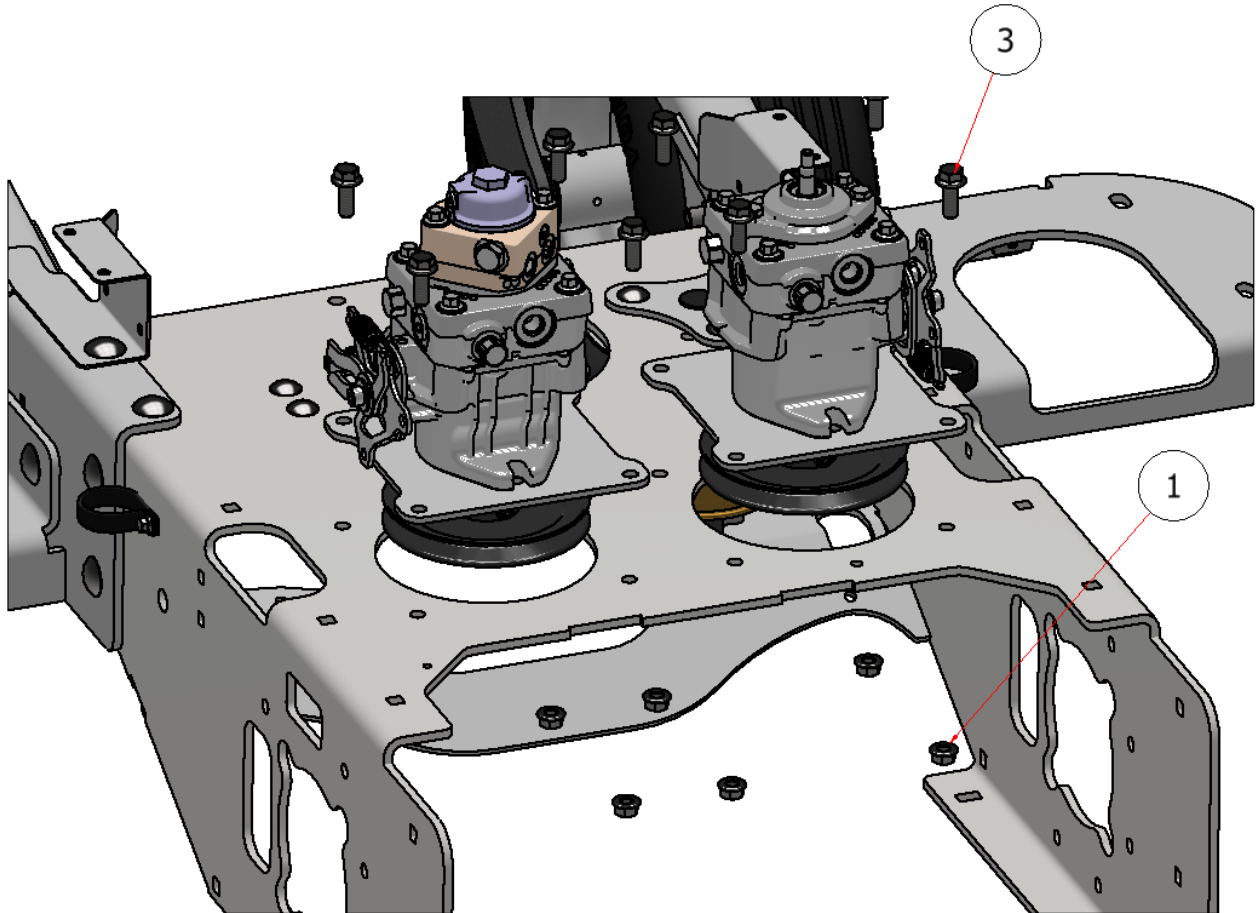
DRAWING NO. SGEV-018 REV. B



| STEERING ARM BRACKET | | | |
|----------------------|---|-------------|-------------------------------|
| 52 | 2 | R21-017 | BRACKET, THROTTLE |
| 53 | 4 | HFSSC-51634 | HEX FLANGE BOLT 5/16-18 X 3/4 |
| 54 | 4 | HFNC5-516S | HEX FLANGE NUT 5/16-18 |



| MOUNTING PLATES & PULLEY | | | |
|--------------------------|-----|----------------------|--------------------------------|
| ITEM | QTY | PART NUMBER | DESCRIPTION |
| 44 | 4 | HFSSC-38114 | HEX FLANGE BOLT 3/8 X 1-1/4 |
| 45 | 38 | HFNC5-38S | HEX FLANGE NUT - 3/8-16 |
| 46 | 1 | H80417 | HYDRAULIC PUMP, LEFT, SG46/52 |
| | | H80401 | HYDRAULIC PUMP, LEFT, SG36/42 |
| 47 | 1 | H80416 | HYDRAULIC PUMP, RIGHT, SG46/52 |
| | | H80400 | HYDRAULIC PUMP, RIGHT, SG36/42 |
| 48 | 2 | R21-016 | PUMP MOUNTING PLATE |
| 49 | 2 | H82006 | PULLEY, PUMP |
| 50 | 2 | FENWCB-M6X20X1.5 | FLAT WASHER M6 |
| 51 | 2 | JIS B 1189 - M6 X 10 | HEX FLANGE BOLT M6 X 10 |
| 81 | 2 | KS-5X5X25 | KEY, PUMP PULLEY |
| 82 | 2 | SHCS-516F34 | SOCKET HEAD BOLT, 5/16 X 3/4 |



| PARTS LIST | | | |
|------------|-----|-------------|----------------------------------|
| ITEM | QTY | PART NUMBER | DESCRIPTION |
| 1 | 39 | HFNCS-38S | HEX FLANGE NUT, SS - 3/8-16 |
| 3 | 20 | HFSSC-381 | HEX FLANGE BOLT, SS - 3/8-16 x 1 |