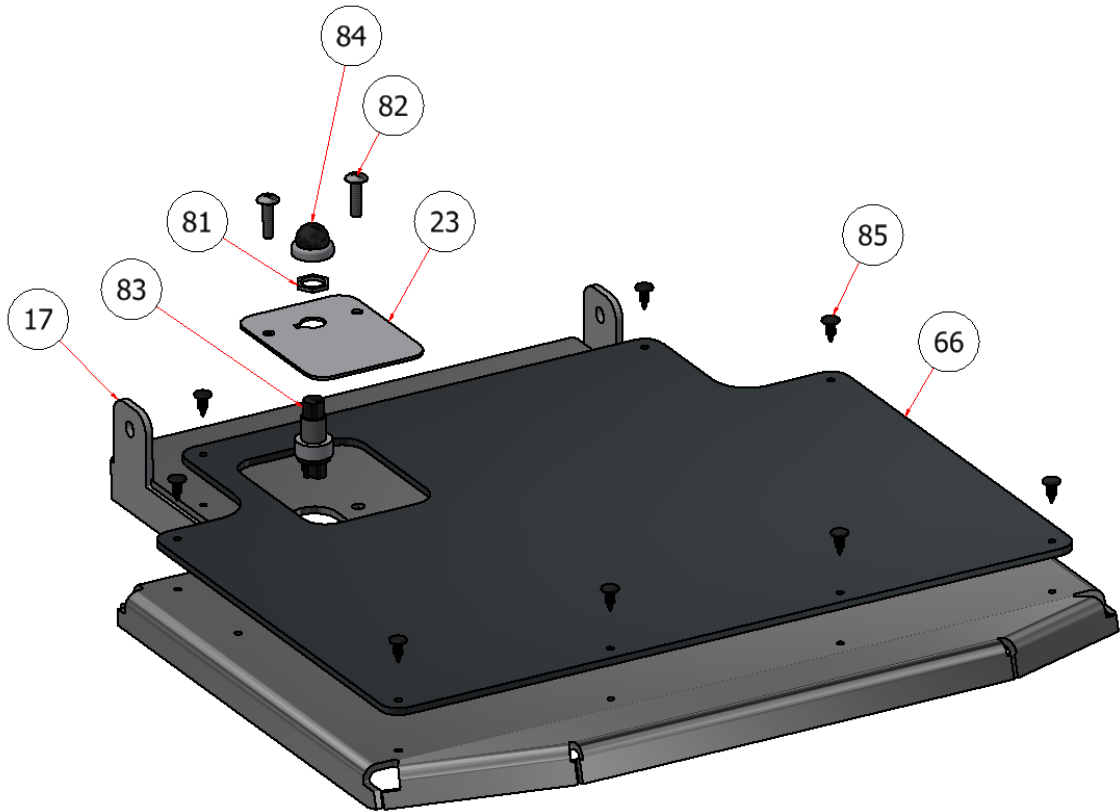


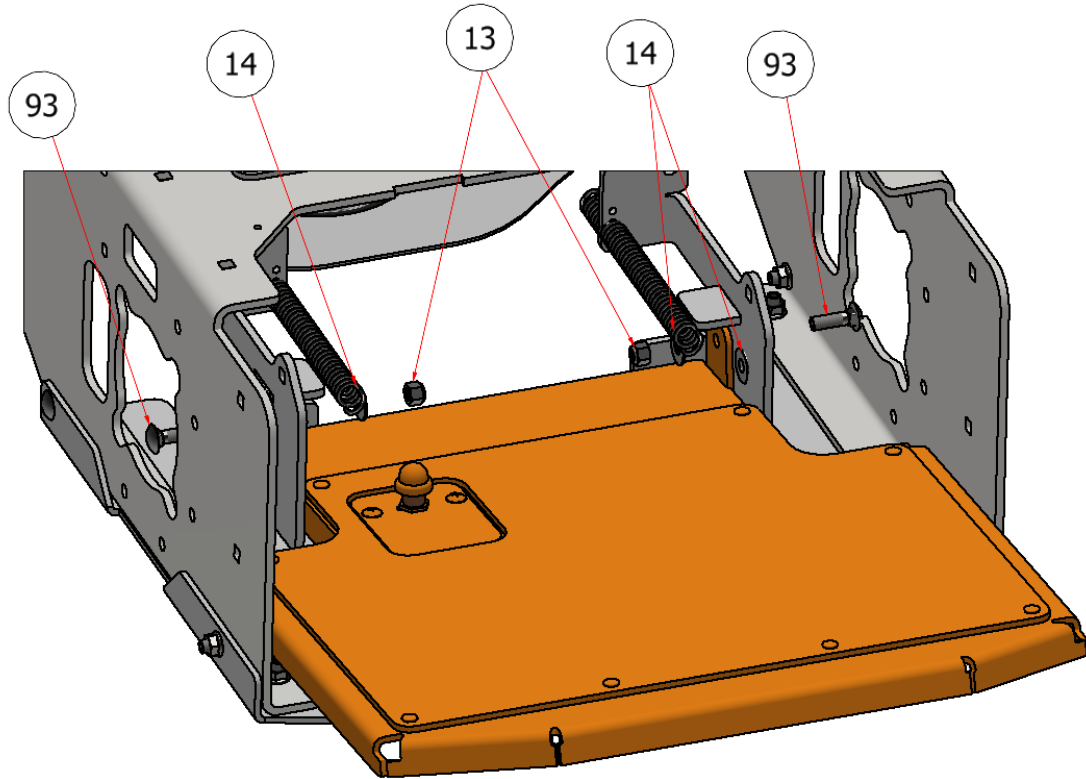
FOOT BOARD ASSEMBLY

DRAWING NO. SGEV-025 REV. B

STEELGREEN
MANUFACTURING™



PARTS LIST			
17	1	W21-371	FOOT BOARD, SG46/52
		W21-374	FOOT BOARD, SG36/42
23	1	R21-024	PLATE, FOOT SWITCH
66	1	C60390	PAD, FOOT BOARD, SG46/52
		C60391	PAD, FOOT BOARD, SG36/42
81	1	E40204	NUT, FOOT SWITCH
82	2	TRPC-141S	PHILLIPS SCREW, 1/4" X 1"
83	1	E40204	BUTTON, FOOT SWITCH
84	1	E40204	CAP, FOOT SWITCH
85	8	C60302	PIN, FOOT BOARD CUSHION



PARTS LIST			
ITEM	QTY	PART NUMBER	DESCRIPTION
13	8	SSNNC-38	NYLOCK, SS - 3/8-16
14	12	FWSS-38	FLAT WASHER, SS - 3/8
93	2	CB-38114	CARRIAGE BOLT, SS - 3/8 X 1-1/4