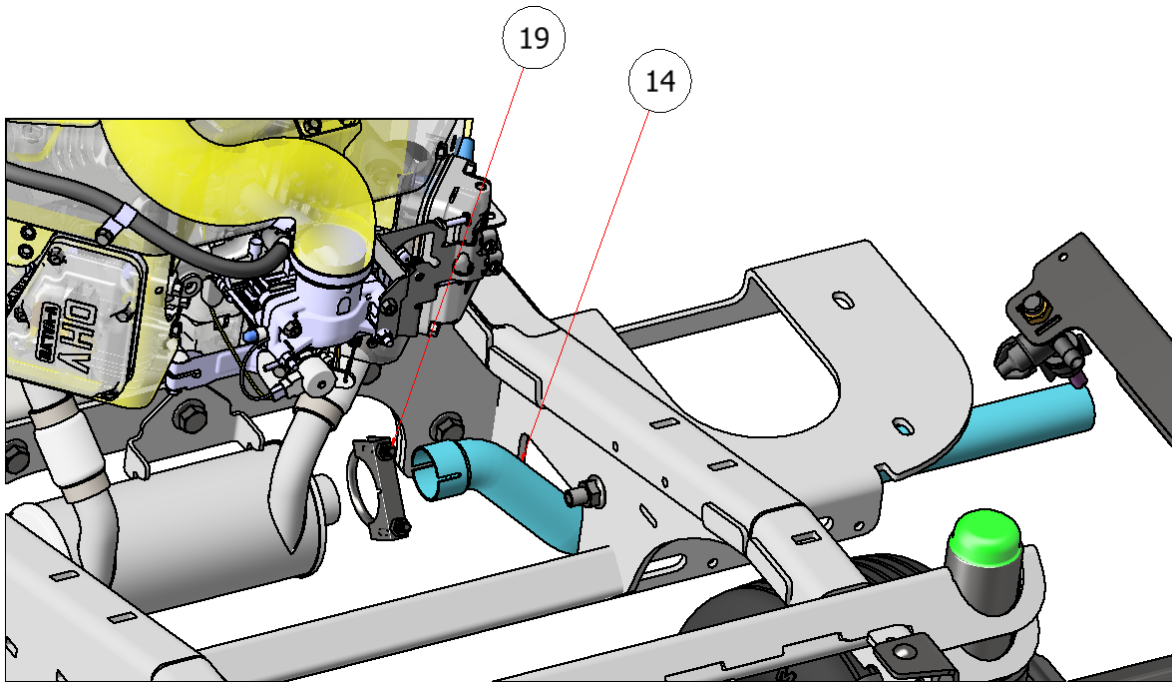


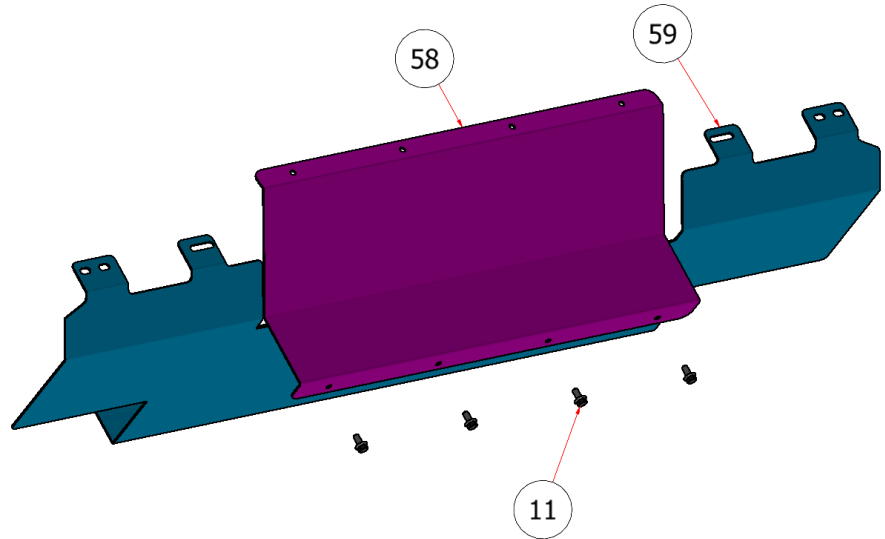
# EXHAUST PIPE & BELLY PAN ASSEMBLY

DRAWING NO. SGEV-059 REV. A

**STEELGREEN**  
MANUFACTURING™



PARTS LIST			
ITEM	QTY.	PART NUMBER	DESCRIPTION
14	1	TE2232-1436	EXHAUST PIPE SG36
		TE2232-1963	EXHAUST PIPE SG46
		TE2232-2213	EXHAUST PIPE SG52
19	1	PC-150A	MUFFLER CLAMP, 1-1/2"



PARTS LIST			
ITEM	QTY	PART NUMBER	DESCRIPTION
11	14	HFSSC-145	HEX FLANGE BOLT, SS-1/4-20 X 1/2
58	1	R21-338	SG46/52 FRONT DEFLECTOR PLATE
		R21-336	SG36/42 FRONT DEFLECTOR PLATE
59	1	W21-337	SG46/52 UNDERBELLY SHIELD
		W21-335	SG36/42 UNDERBELLY SHIELD

