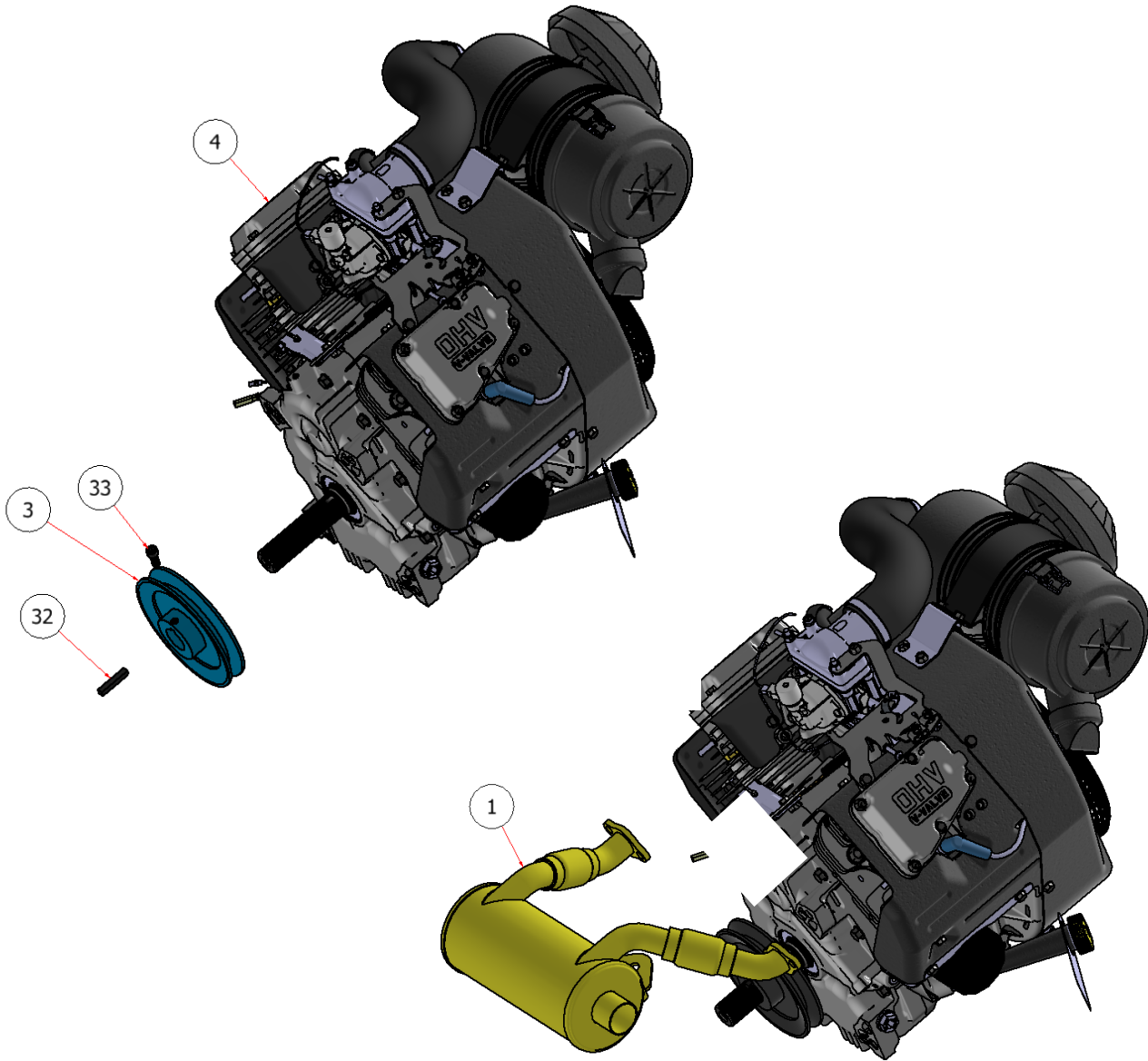


# ENGINE PULLY & MUFFLER ASSEMBLY

DRAWING NO. SGEV-031 REV. B

**STEELGREEN**  
MANUFACTURING™



ITEM	QTY	PART NUMBER	DESCRIPTION
1	1	X30004	MUFFLER, KAWASAKI
3	1	H82007	PULLY, ENGINE
4	1	FX730V-AR10-R	ENGINE, KAWASAKI, 26HP
32	1	KS-14X14X1.5	KEY, 1/4 X 1/4 X 1-1/2
33	1	SHCS-516-24X34	SOCKET HEAD CAP SCREW, 5/16 X 3/4