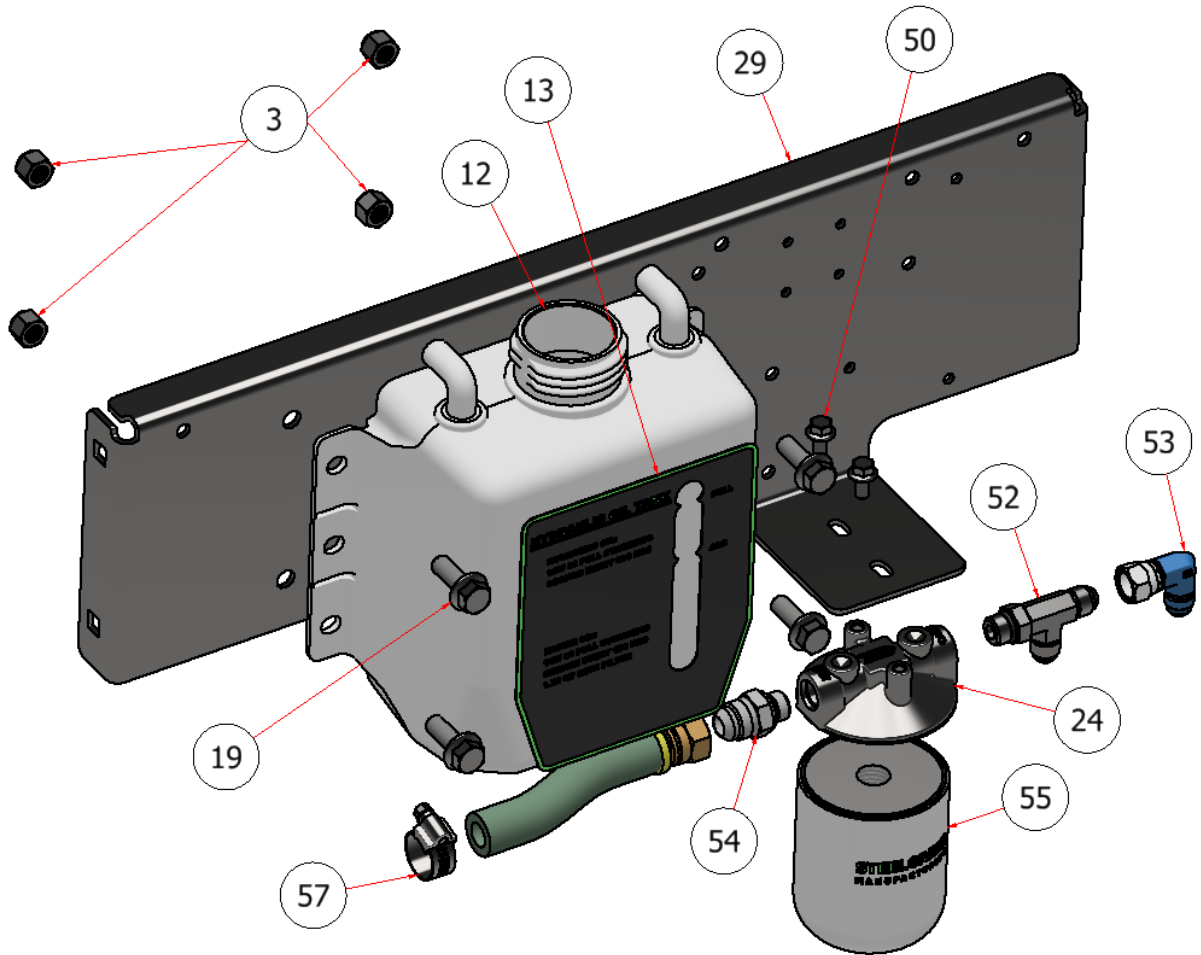


CROSS MEMBER SG52 ASSEMBLY

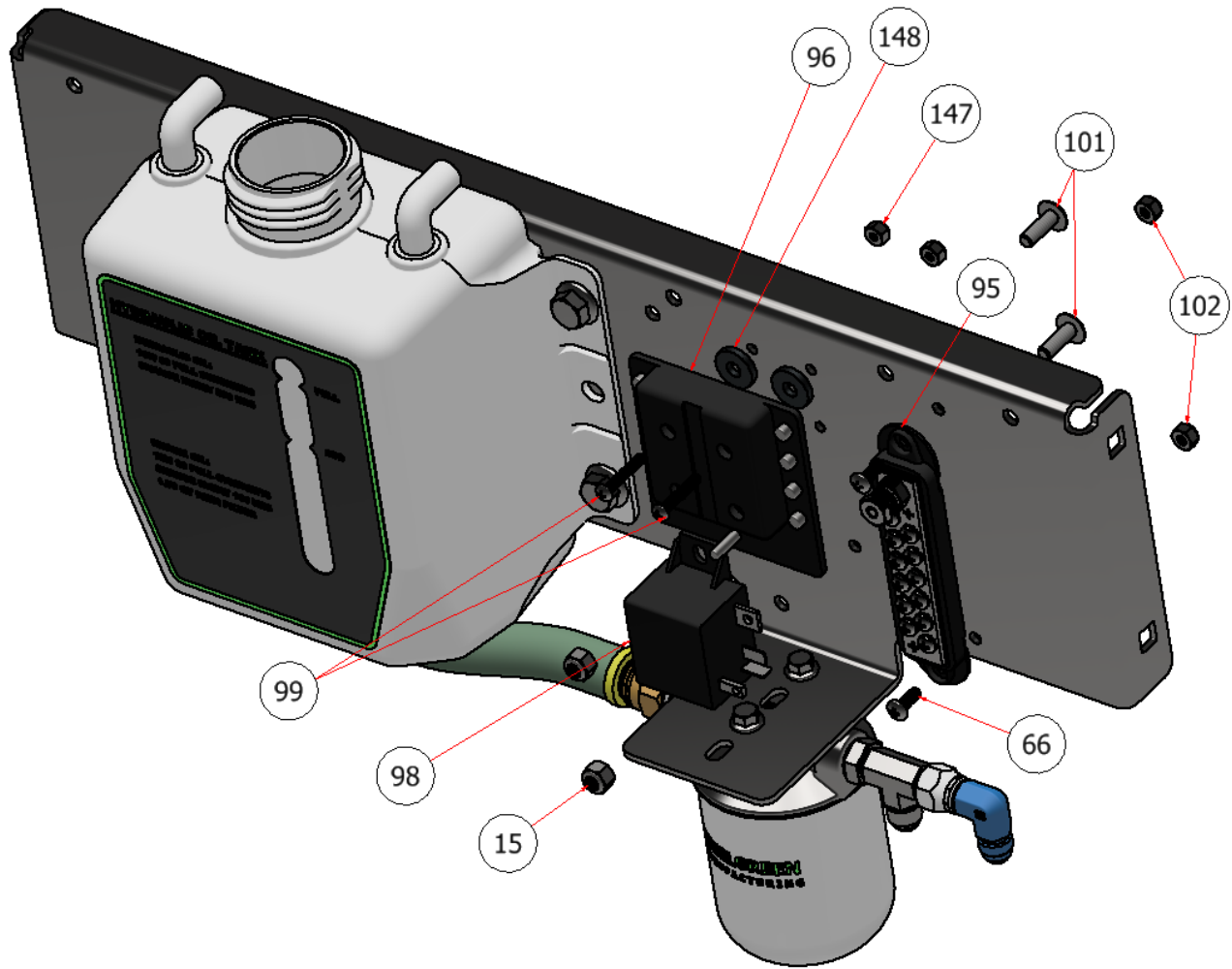
DRAWING NO. SGEV-008 REV. B

STEELGREEN
MANUFACTURING™



PARTS LIST			
ITEM	QTY	PART NUMBER	DESCRIPTION
3	4	SSNNC-38	NYLOCK, SS - 3/8-16
12	1	M10003	HYDRAULIC OIL TANK, 3QT
13	1	C60313	DECAL, HYDRAULIC OIL TANK
19	4	HFSSC-381	HEX FLANGE BOLT, SS - 3/8-16 x 1
24	1	H80405	OIL FILTER HOUSING
29	1	R21-030	CROSS MEMBER, UPRIGHT, SG46/52
50	2	HFSSC-145	HEX FLANGE BOLT, SS - 1/4-20 x 1/2
52	1	H84021	3/8 M JIC X 3/8 M JIC X 3/8 ORB TEE
53	1	H84010	3/8 M JIC X 3/8 JIC 90 SWIVEL
54	1	H84019	1/2 M JIC X 3/8 ORB STG.
55	1	H80404	OIL FILTER, HYDRAULIC
57	5	MS4	HOSE CLAMP, 3/8
148	2	NFW-14B	FLAT WASHER, 1/4", PLASTIC

CROSS MEMBER SG52 ASSEMBLY



PARTS LIST			
ITEM	QTY	PART NUMBER	DESCRIPTION
95	1	GB-12-C	GROUND BLOCK, 12 PORT
96	1	FB802	FUSE BLOCK, 8 POST
98	1	V23232	RELAY, 2 POLE
99	2	TRPC-8100S	SCREW, PHILLIPS, 8-32 X 1 SS
101	2	TRPC-141S	SCREW, PHILLIPS, SS - 1/4-20 x 1
102	2	SSNNC 10-32	HEX NUT, NYLOCK, 10-32SS
147	2	SSNNC-8	LOCK NUT, 8-32 SS
148	2	NFW-14B	FLAT WASHER, 1/4", PLASTIC