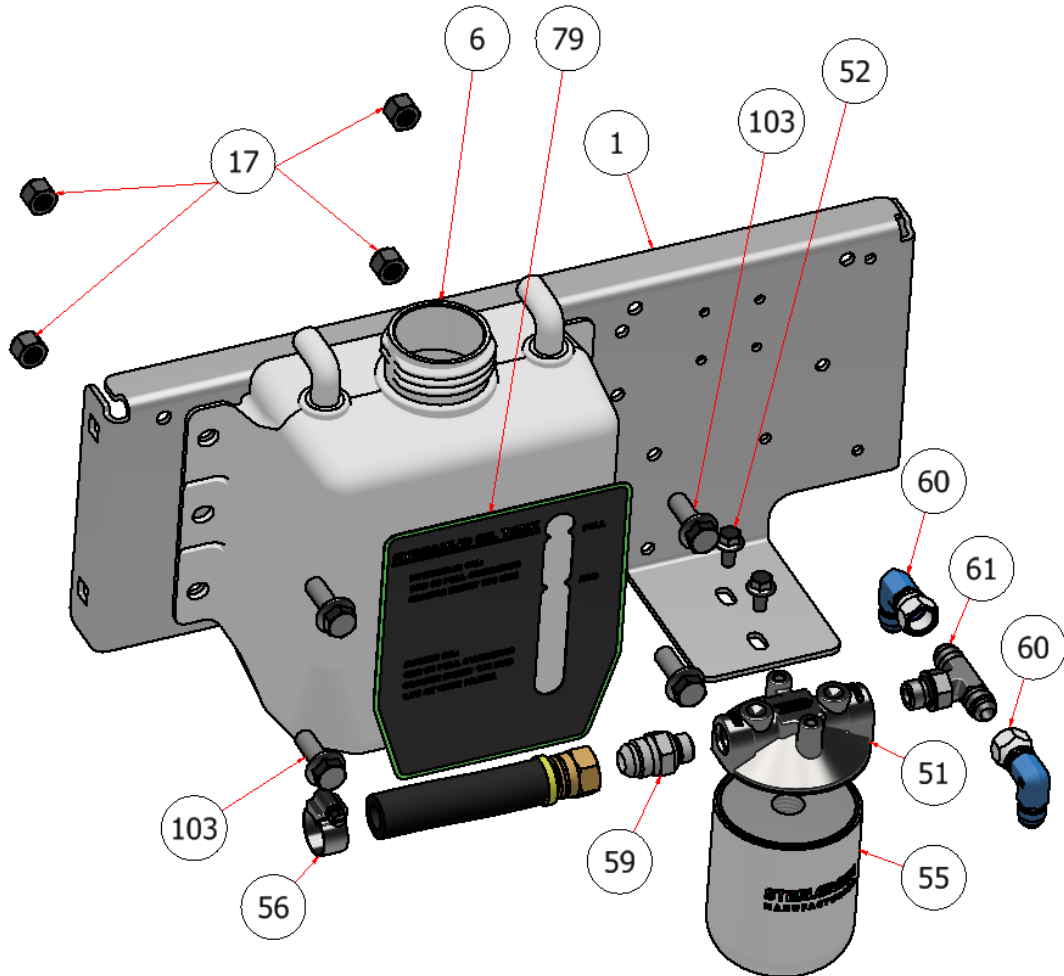


CROSS MEMBER SG36 ASSEMBLY

DRAWING NO. SGEV-007 REV. B

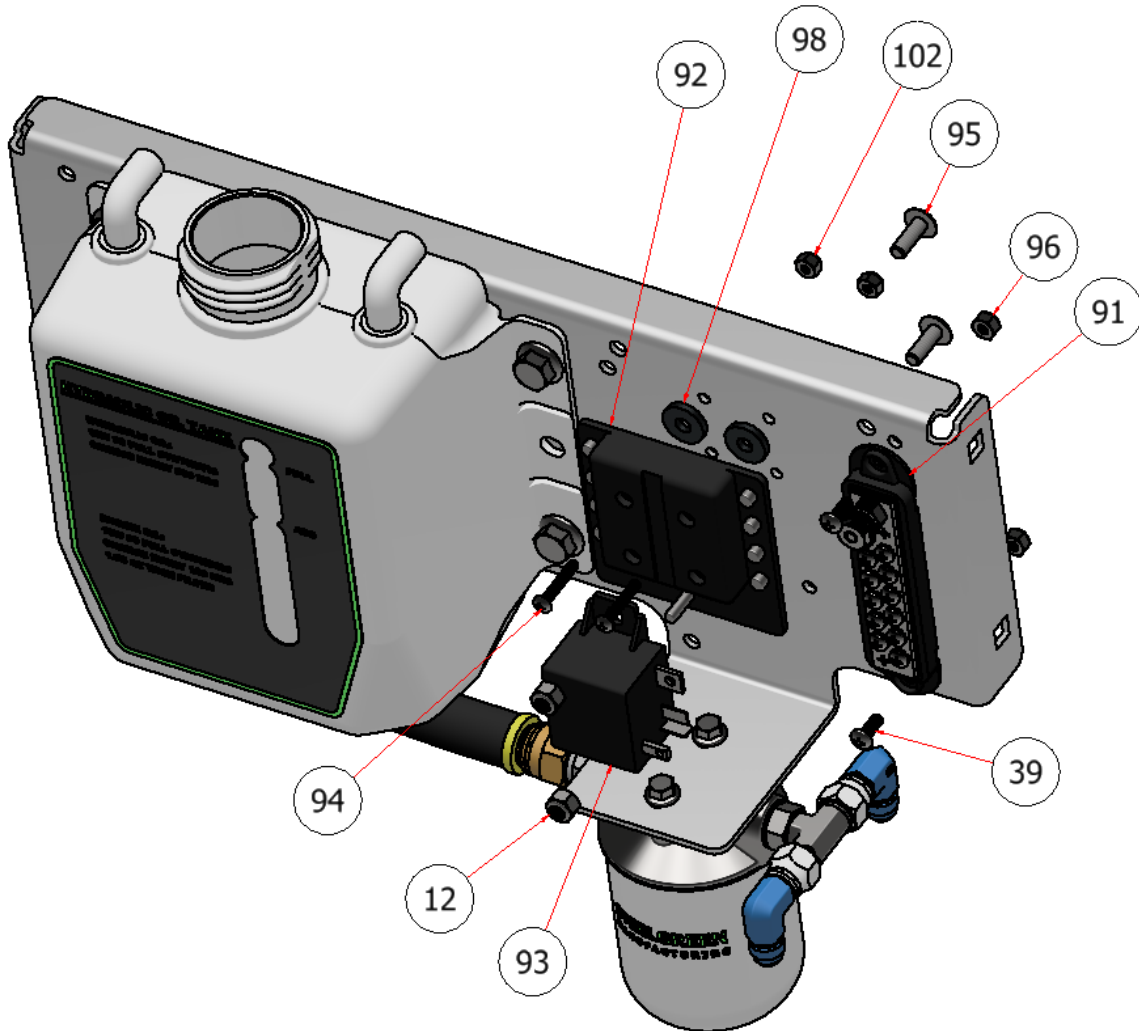
STEELGREEN
MANUFACTURING™



PARTS LIST

ITEM	QTY	PART NUMBER	DESCRIPTION
1	1	R21-092	0.120 SS
6	1	M10003	HYDRAULIC OIL TANK, 3QT
17	4	SSNNC-38	NYLOCK, SS - 3/8-16
51	1	H80405	OIL FILTER HOUSING
52	2	HFSSC-145	HEX FLANGE BOLT, SS - 1/4-20 x 1/2
56	3	MS4	HOSE CLAMP, 3/8
59	1	H84019	1/2 M JIC X 3/8 ORB STG.
60	2	H84010	3/8 M JIC X 3/8 JIC 90 SWIVEL
61	1	H84022	TEE FITTING, 3/8 ORB X 3/8 JIC
79	1	C60313	DECAL, HYDRAULIC OIL TANK
103	4	HFSSC-381	HEX FLANGE BOLT, SS - 3/8-16 x 1

CROSS MEMBER SG36 ASSEMBLY



PARTS LIST			
ITEM	QTY	PART NUMBER	DESCRIPTION
1	1	R21-092	0.120 SS
12	8	SSNNC-14	NYLOCK, SS - 1/4-20
39	5	TRPC-1012S	SCREW, PHILLIPS, #10 X 1/2
91	1	GB-12-C	GROUND BLOCK, 12 PORT
93	1	V23232	RELAY, 2 POLE
94	2	TRPC-8100S	SCREW, PHILLIPS, 8-32 X 1 SS
95	2	TRPC-141S	SCREW PHILLIPS, SS - 1/4-20 x 1
96	2	SSNNC 10-32	HEX NUT, NYLOCK, 10-32SS
98	6	NFW-14B	FLAT WASHER, 1/4", PLASTIC
102	2	SSNNC-8	LOCK NUT, 8-32 SS