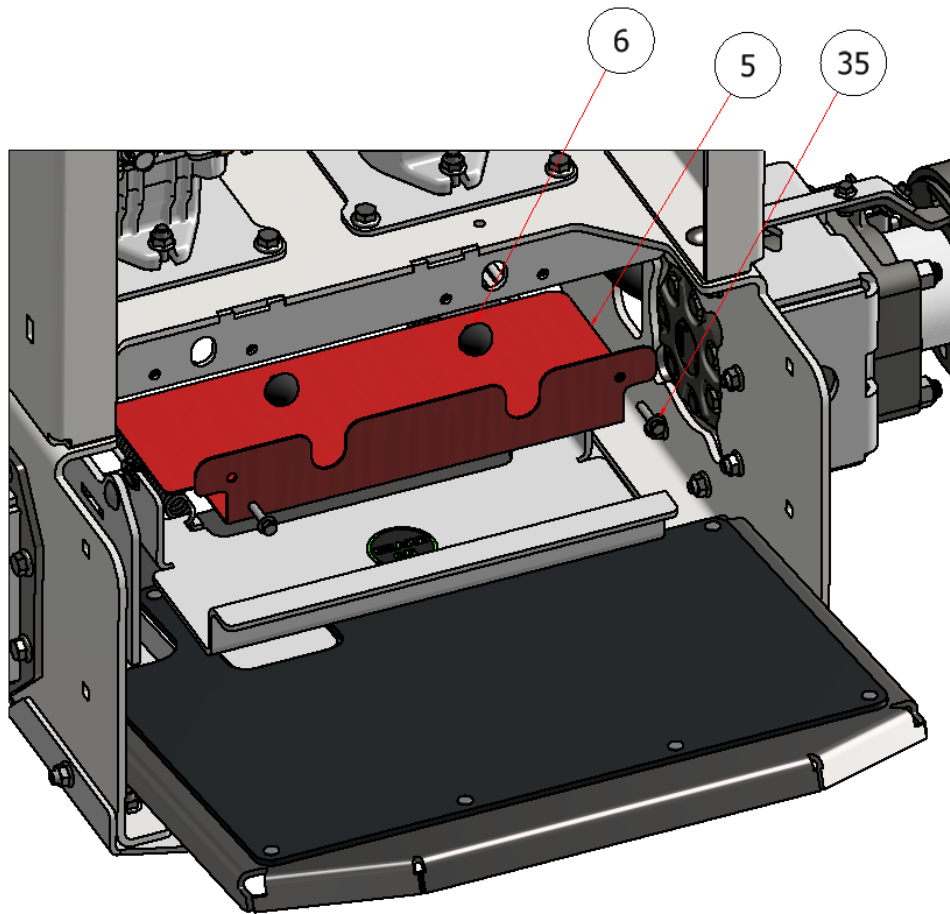


BELT GUARD ASSEMBLY

DRAWING NO. SGEV-037 REV. B

STEELGREEN

MANUFACTURING™



PARTS LIST			
ITEM	QTY	PART NUMBER	DESCRIPTION
18	1	R21-221	SG42/36 BELT GUARD, REAR
	1	R21-229	SG46/52 BELT GUARD, REAR
22	2	TRPC-141S	SCREW, PHILLIPS, 1/4" X 1"
27	2	9451K83	RUBBER STOP