



LEFT NOZZLE ASSY.

CENTER NOZZLE ASSY.

RIGHT NOZZLE ASSY.

SG52 QTY. (2)

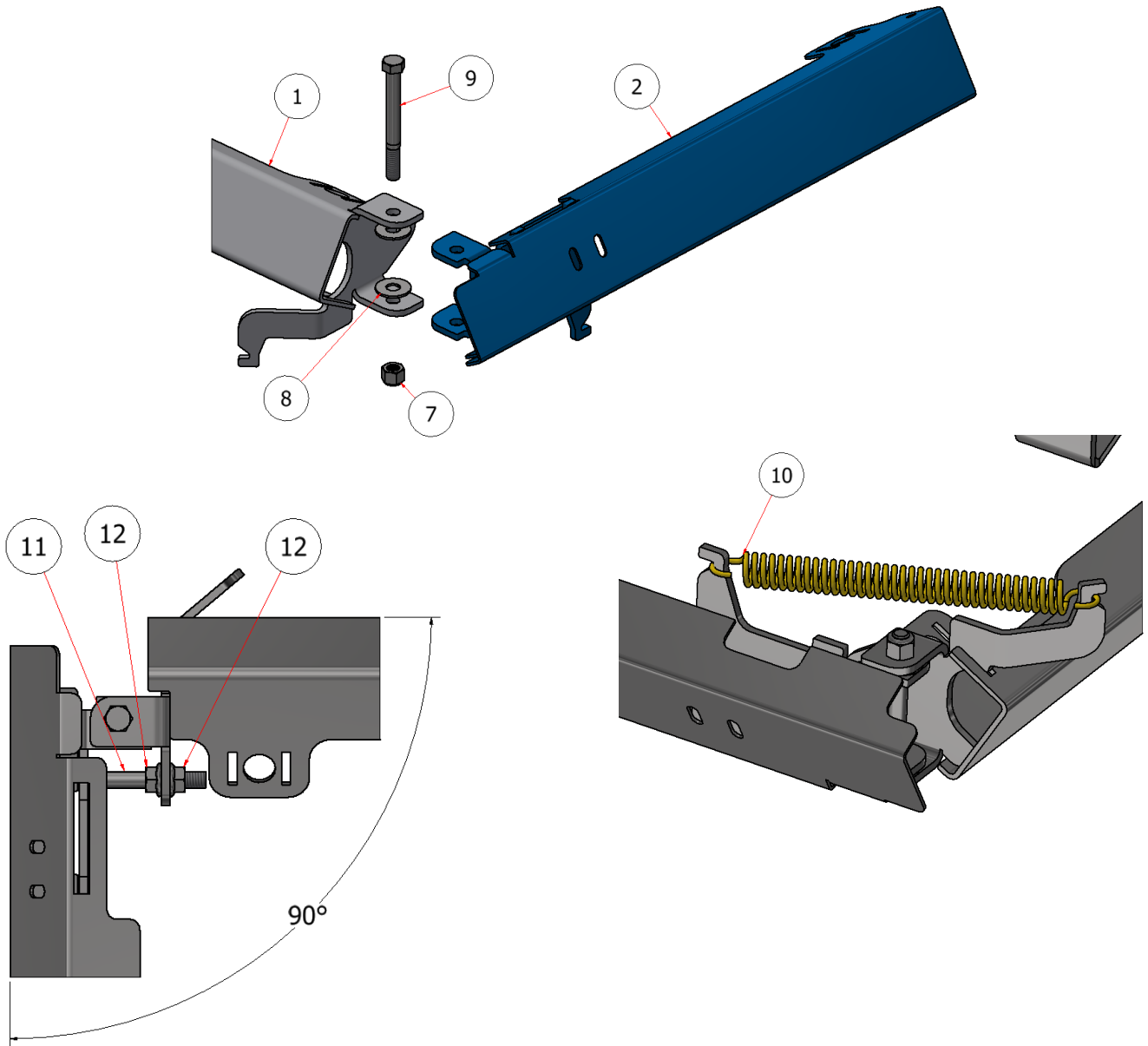
QTY. (1)

QTY. (2)

SG36,42,46 QTY. (2)

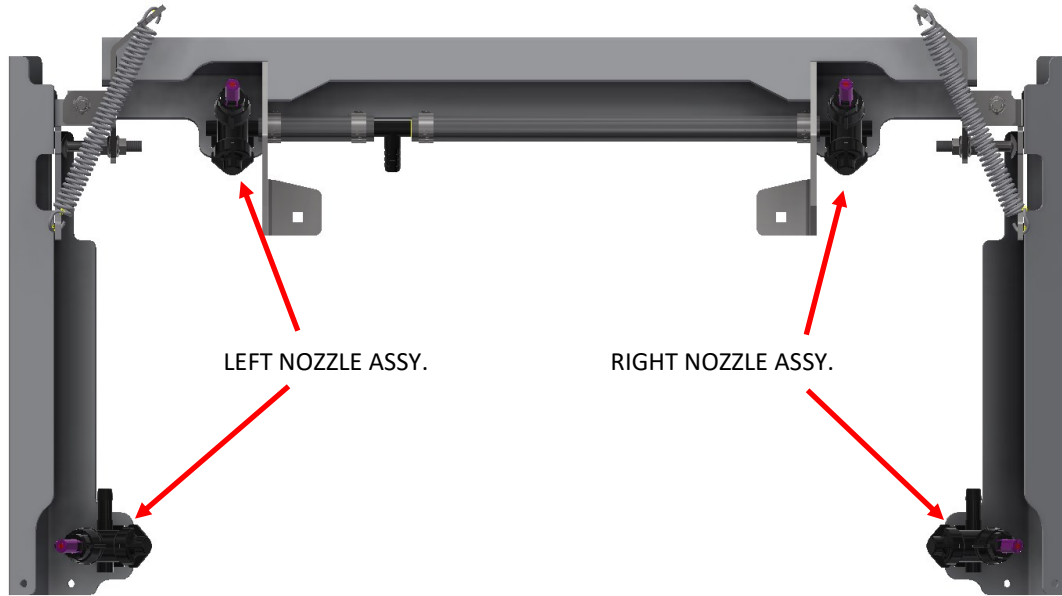
QTY. (2)

PARTS LIST			
ITEM	QTY	PART NUMBER	DESCRIPTION
15	5	S51010-N	NOZZLE BODY NUT, BRASS
16	5	S51113	NOZZLE BODY, CAP
17	5	S51200	TIP CAP
18	5	S50025	SPRAY TIP, LAVENDER
19	5	S51280	CHECK VALVE, 50 MESH
20	1	S51011	NOZZLE BODY, CENTER
21	2	S51010	NOZZLE BODY, LEFT
22	2	S51012	NOZZLE BODY, RIGHT
23	1	S51112	DIAPHRAGM, SPRAY NOZZLE



PARTS LIST			
ITEM	QTY	PART NUMBER	DESCRIPTION
1	1	W21-117	CENTER SECTION, SPRAY BOOM, SG52
2	1	W21-121	LEFT WING, SPRAY BOOM, SG52
7	2	SSNNC-38	NYLOCK, SS - 3/8-16
8	4	FWSS-38	FLAT WASHER, SS - 3/8
9	2	HHCS5-38334	HEX BOLT, SS - 3/8-16 x 3 3/4
10	2	C60112	BOOM SPRING
11	2	CB.375-16X2.5	CARRIAGE BOLT 3/8" X 2.5"
12	4	HFNCS-38S	HEX FLANGE NUT, SS - 3/8-16

SG36, 42, & 46



SG52

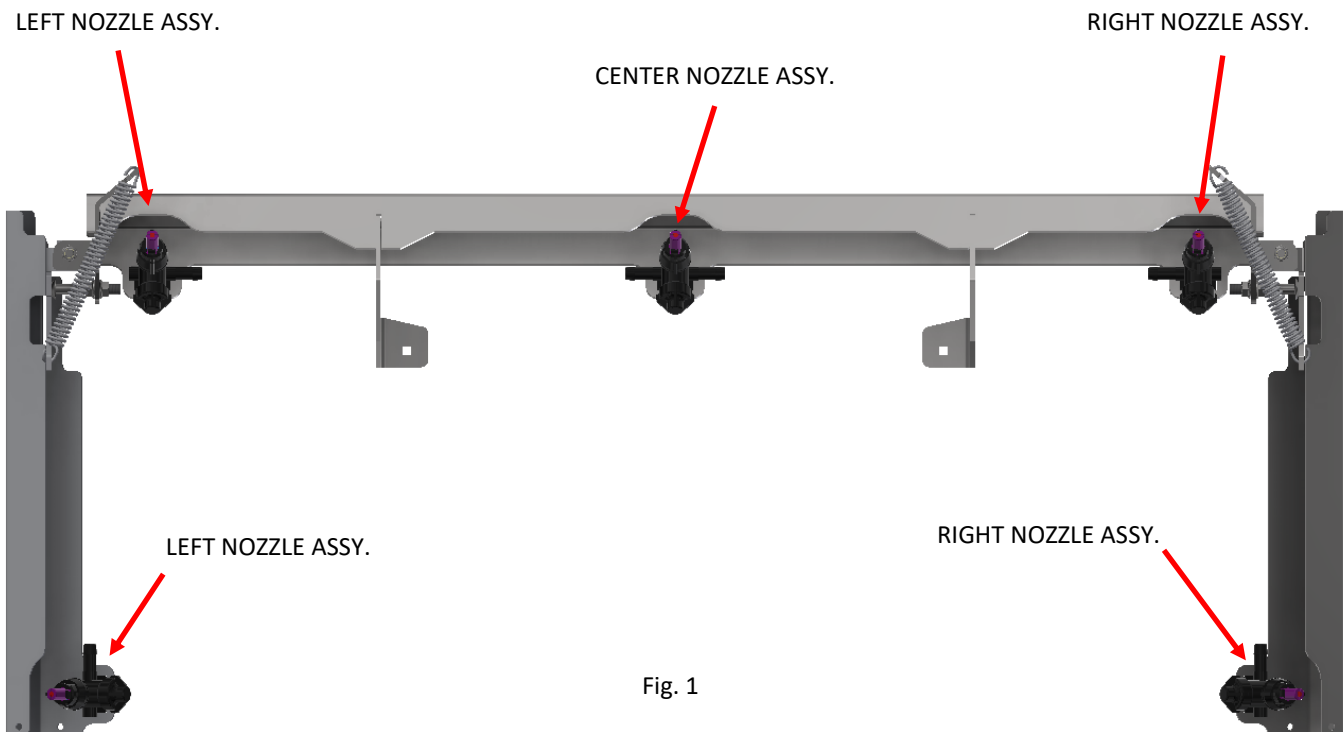
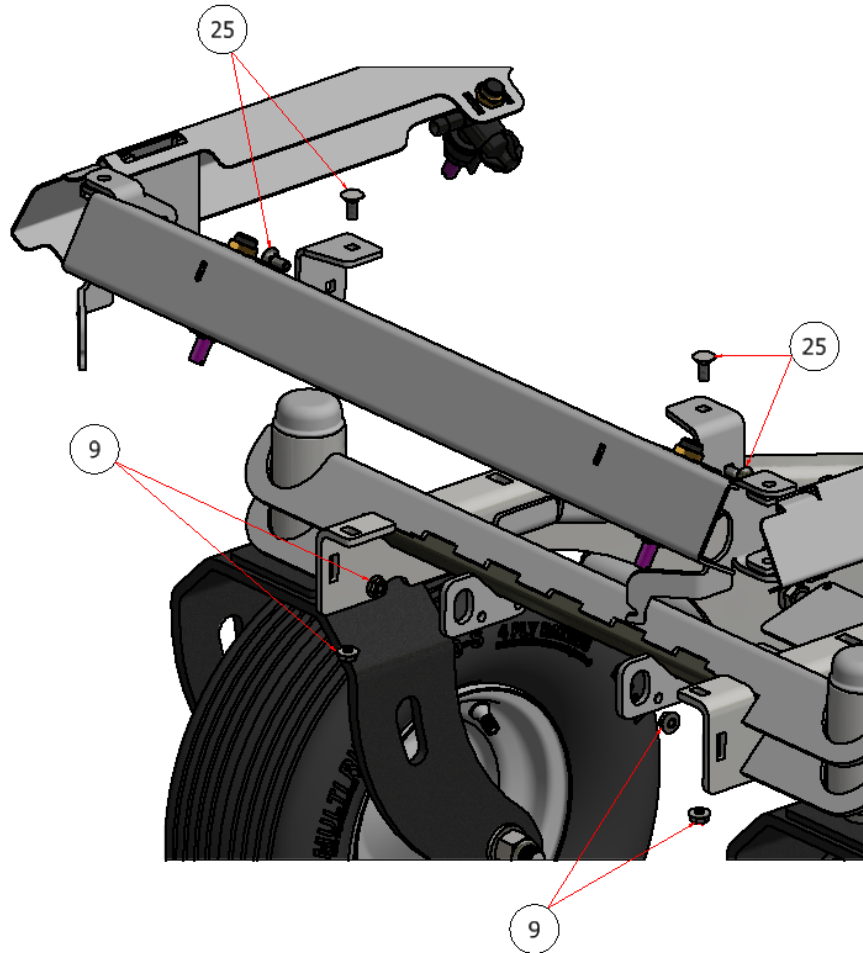


Fig. 1



ITEM	QTY	PART NUMBER	DESCRIPTION
9	6	HFNCS-38S	HEX FLANGE NUT - 3/8-16
25	4	CB-51634	CARRIAGE BOLT, SS - 5/16-18 x 3/4

EXPLODED VIEW		
PART NO.	REV.	DESCRIPTION
SGEV-058	C	SG SERIES SPRAY BOOM