



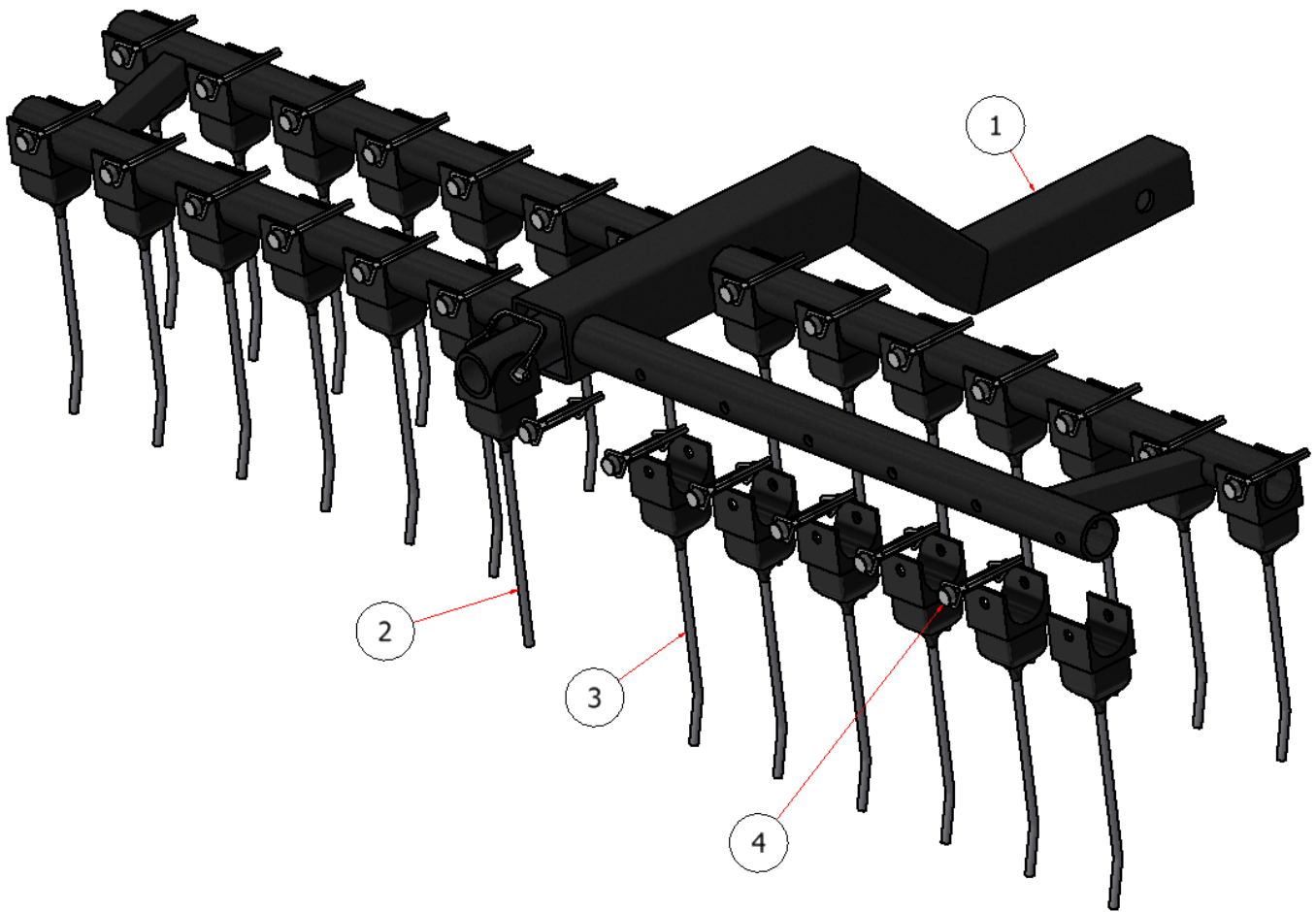
INSTRUCTION MANUAL

RAKE ATTACHMENT

Models: SG36, SG42, SG46, & SG52



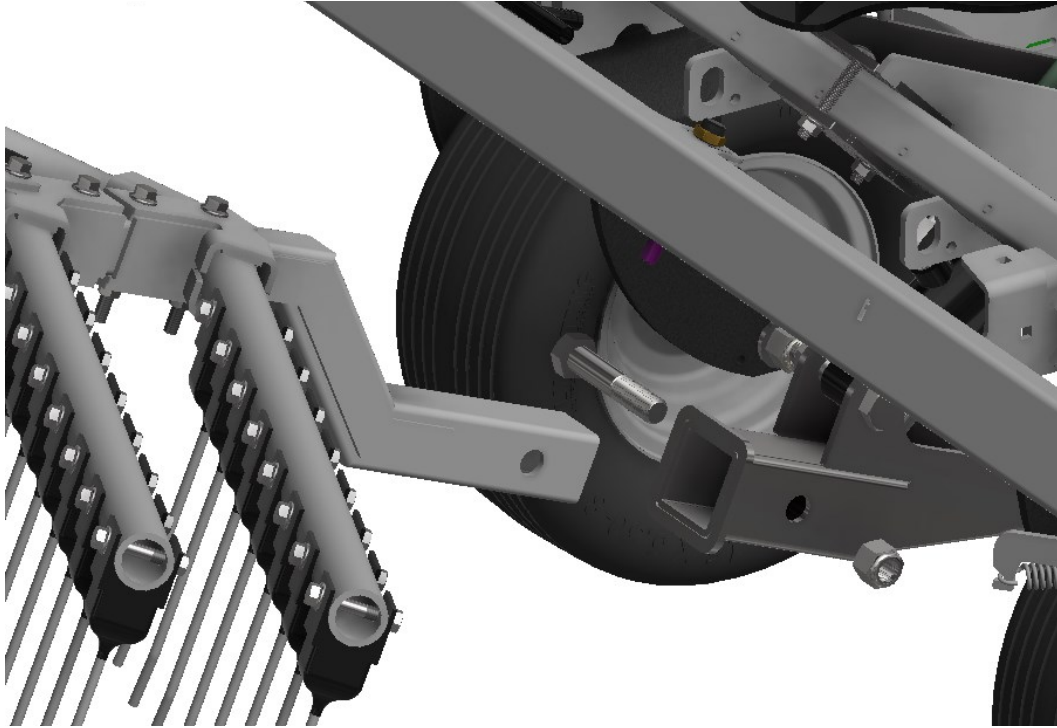
RAKE ATTACHMENT INSTRUCTIONS



PARTS LIST			
ITEM	QTY	PART NUMBER	DESCRIPTION
1	1	W-PL037	FRAME, RAKE ATTACHMENT
2	1	DR10002	TINE, RAKE, CENTER
3	26	DR10001	TINE, RAKE ASSEMBLY
4	27	C60318	PIN, WIRE-LOCK CLEVIS

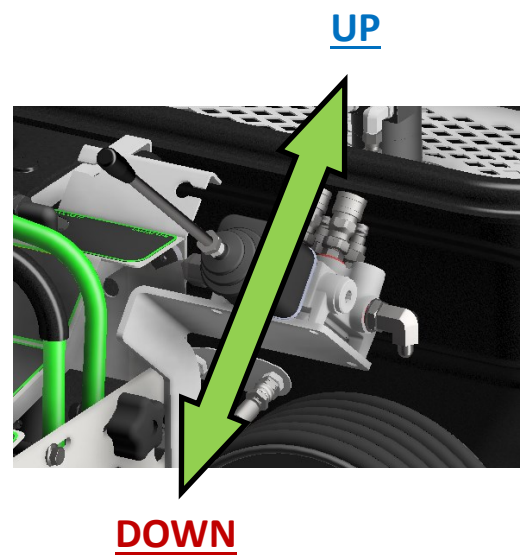
RAKE ATTACHMENT INSTRUCTIONS

STEP 1: Attach the rake to the hitch using (1) 5/8" X 3" bolt and nut provided with the kit.



STEP 2: OPERATION

- To raise and lower the rake, move the valve handle up or down.





MADE IN THE USA

Steel Green Mfg.
824 S State Road 39
Lebanon, IN 46052
(765)-481-2890
www.steelgreenmfg.com

MANUAL PART NO.	MANUAL REV.	DESCRIPTION	KIT PART NO.
SGM-032	E	SG RAKE ATTACHMENT	A10083